

BATHROOM PICTURE TEST

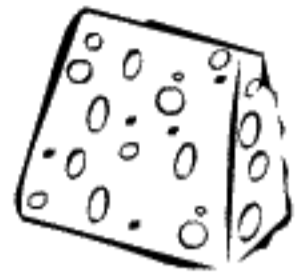
Name: _____

10

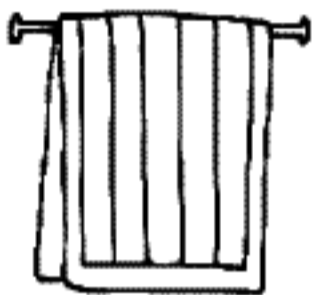
Read and match.



bath



brush



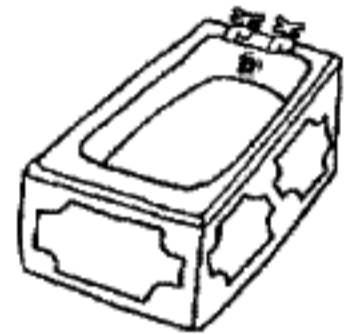
comb



shampoo



shower



soap

sponge



toothbrush



toothpaste



towel

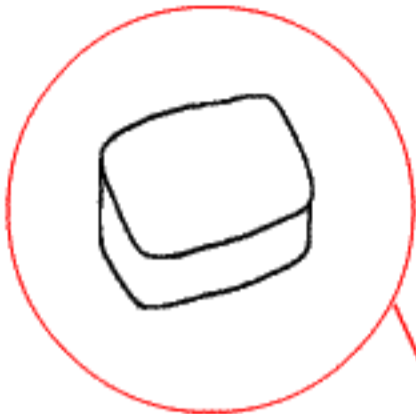


BATHROOM PICTURE TEST

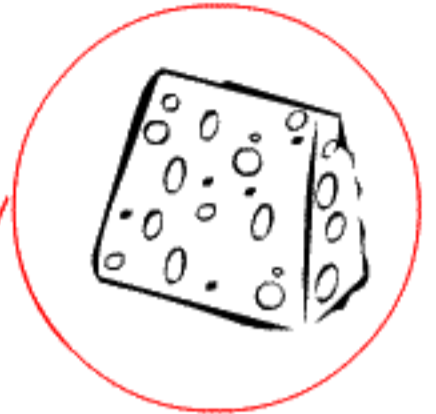
Name: _____

10

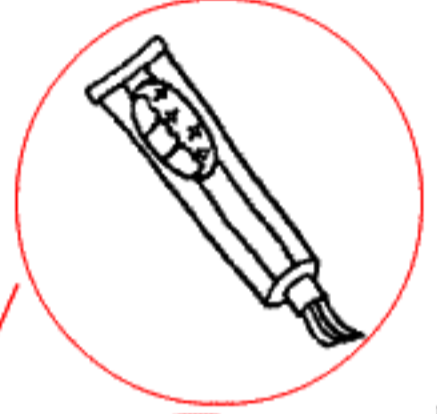
Read and match.



bath

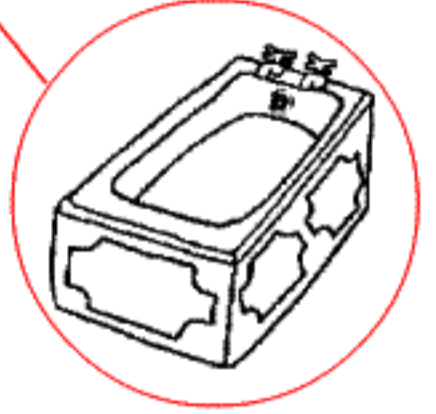


brush



comb

shampoo



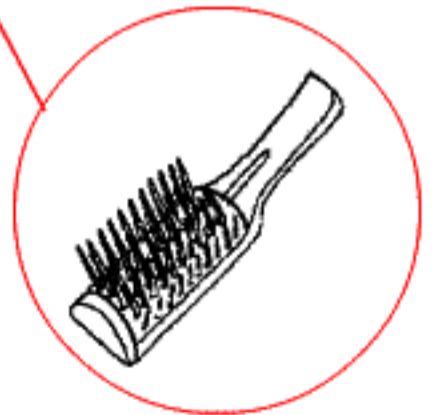
shower

soap

sponge



toothbrush



toothpaste

towel

